

RC224

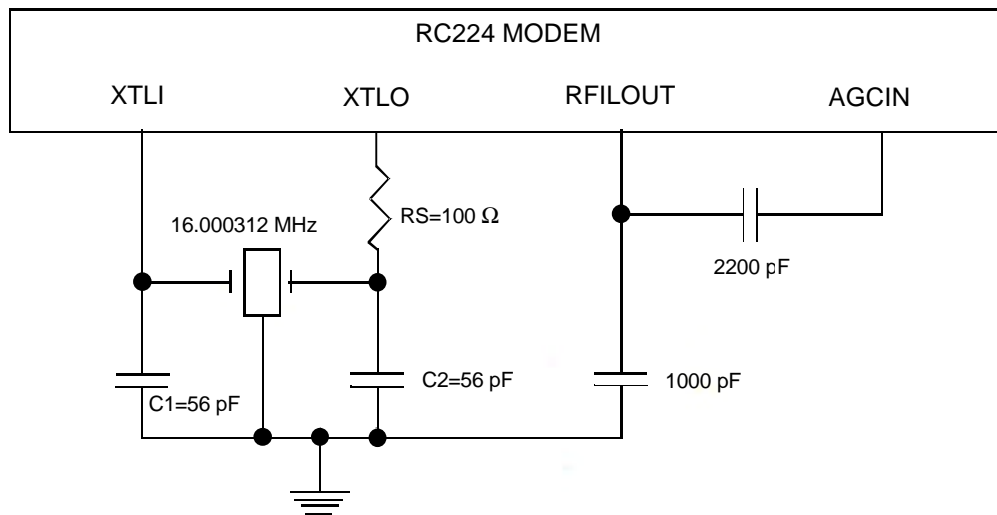
Literature Affected: RC224 Modem Designer's Guide

errata sheet

Recommended Changes to the RC224 Modem Design

1) The CAP from RFILOUT to AGCIN must be 0.0022 uF (i.e. 2200 pF), NOT 0.1 uF that is shown in the Designer's Guide.

2) Upon completion of the crystal oscillator circuit evaluation, the following values for loading capacitor and series resistance are being recommended for use: C1=C2=56pF and Rs=100 ohms. It is critical that the series resistance Rs=100Ω is used in the oscillator circuit.



Rockwell

Because
Communication
Matters™