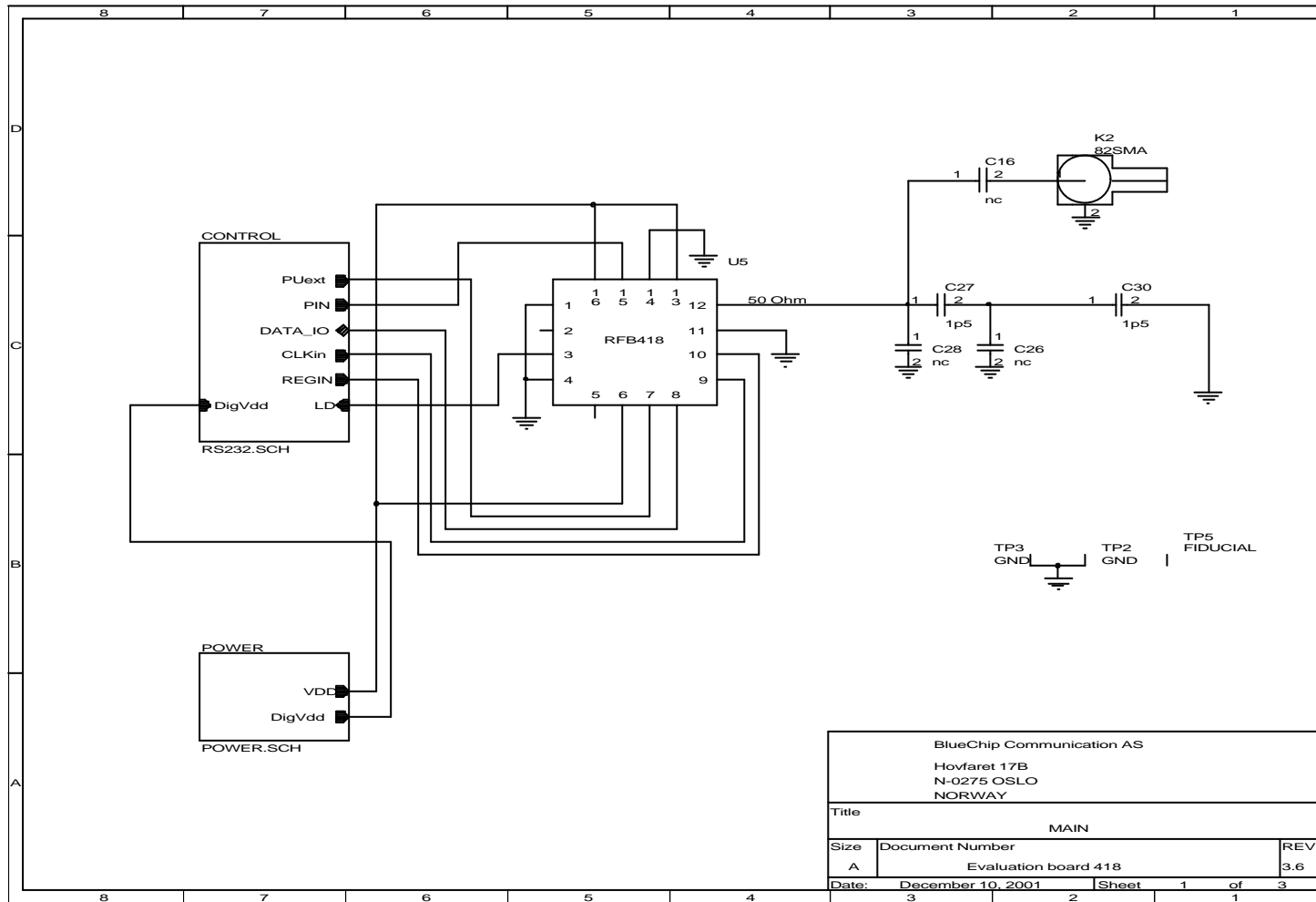
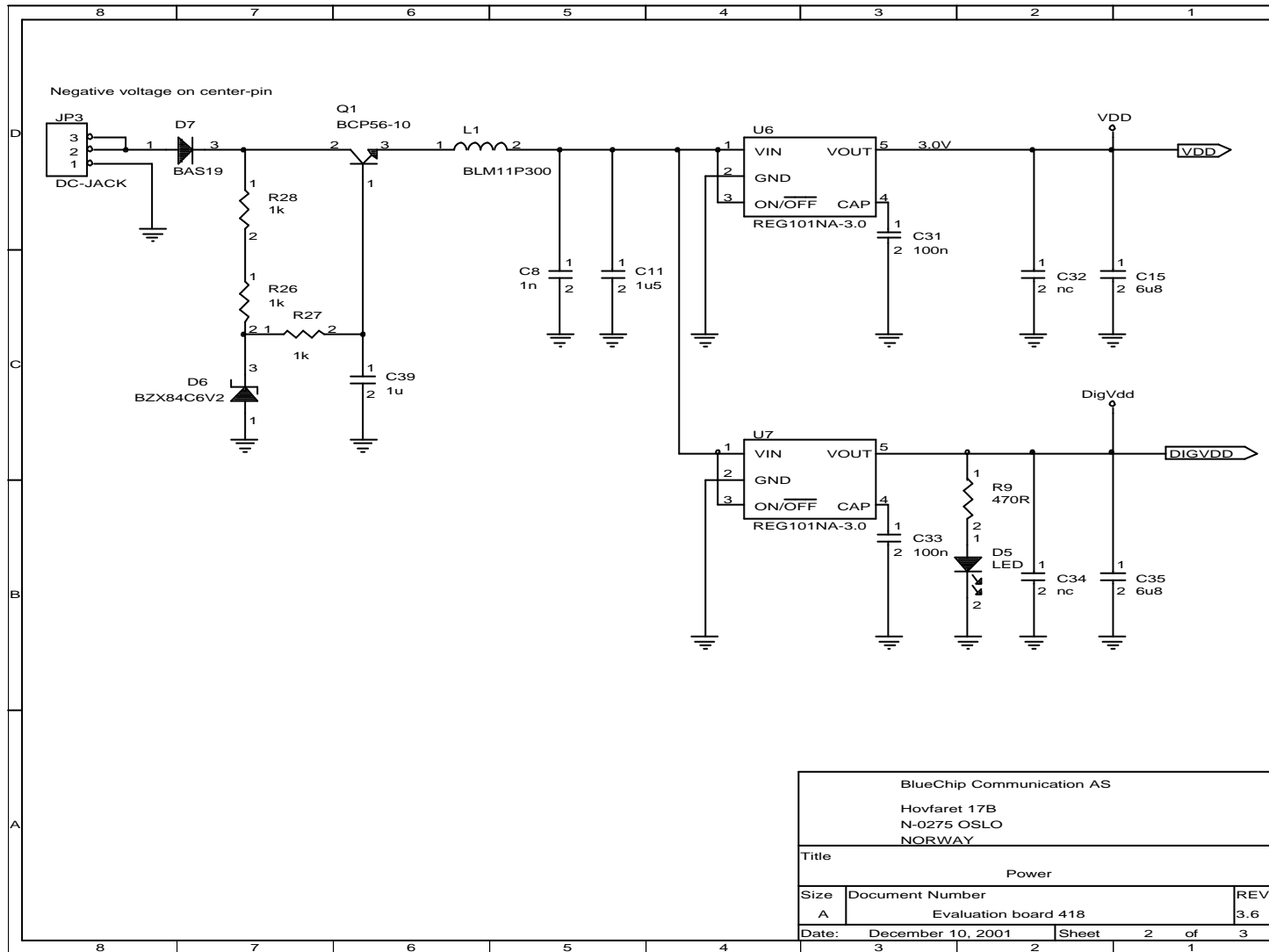


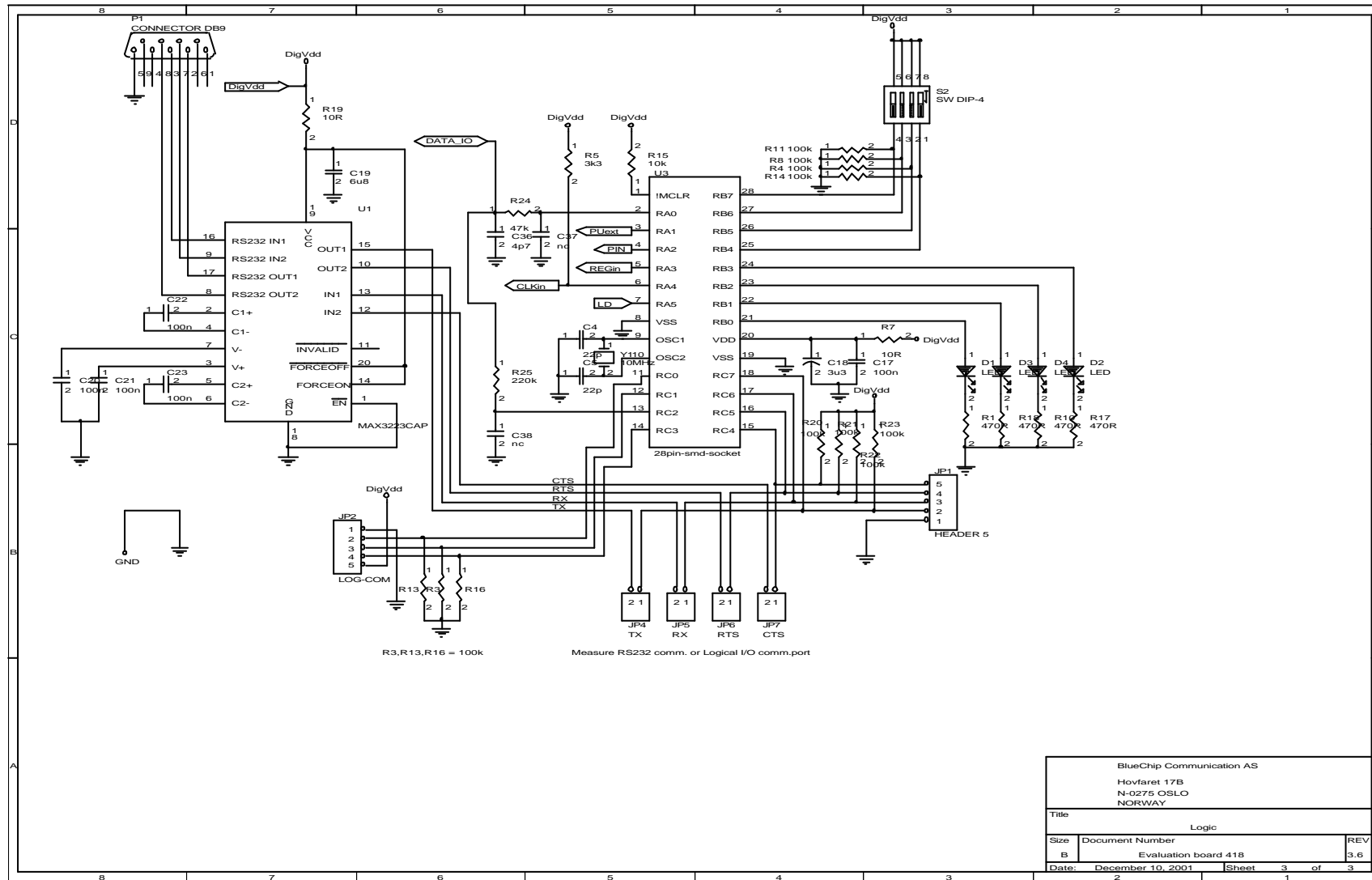
1. Schematics for Evaluation unit 418 V.3.6

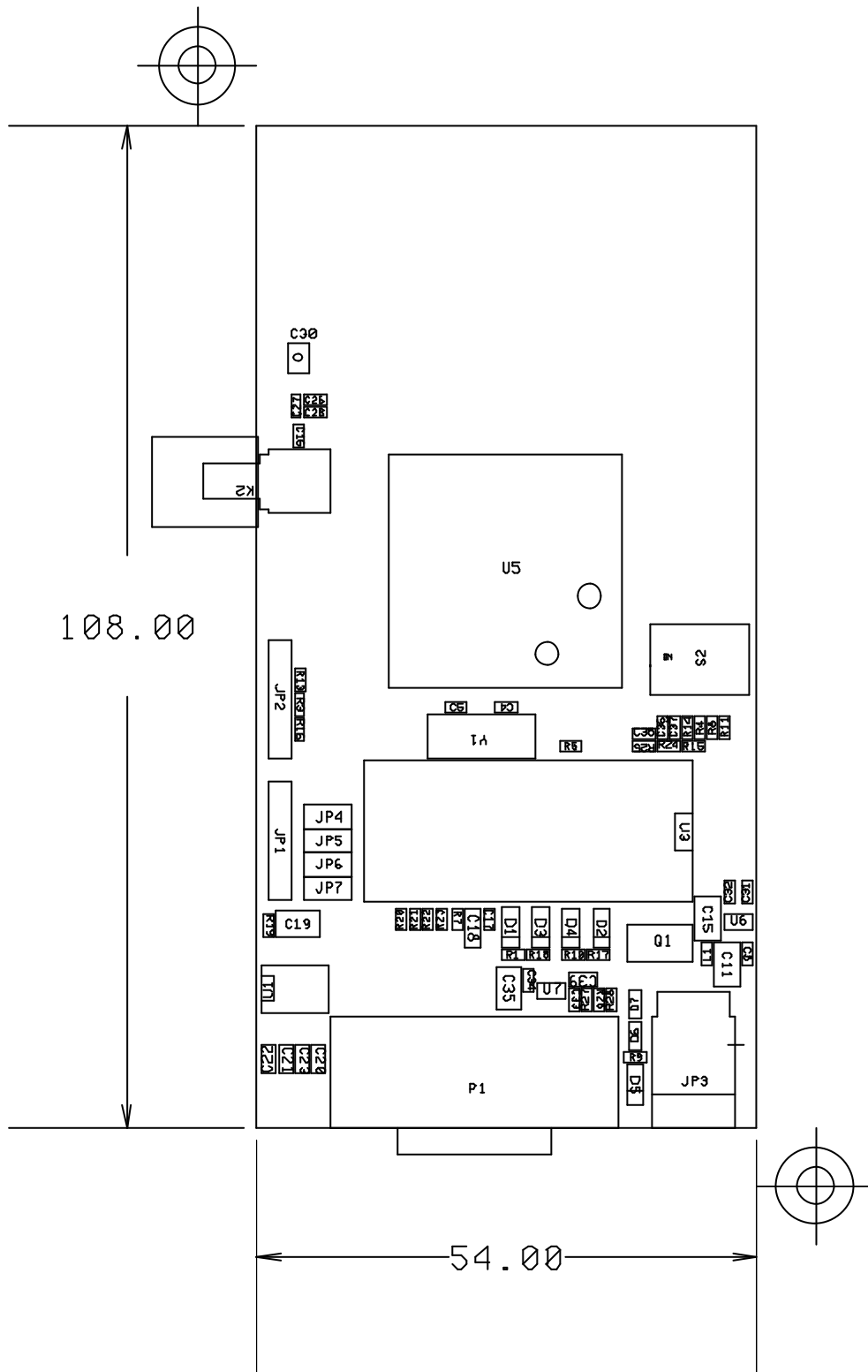


Schematics and Bill of Material for Evaluation unit V.3.6



Schematics and Bill of Material for Evaluation unit V.3.6





## 2. Bill of Material for Evaluation unit 418 V.3.6

Date:28/11-2001

Item	Quantity	Reference	Part	Pkg. and tolerance	Dielectricum	Voltage	Manuf.
1	2	C4 C5	22p	0603 +-5%	NPO	50	
2	1	C8	1n	0603 +-10%	X7R	16	
3	1	C11	1u5	1206 +22,-82	Y5V	16	Murata
4	3	C15 C35 C19	6u8	1210 +22,-82	Y5V	16	Murata
5	7	C16 C26 C28 C32 C34 C37	NC				

Schematics and Bill of Material for Evaluation unit V.3.6

C38							
6	3	C17 C31 C33	100n	0603 +-10%	X7R	16	
7	1	C18	3u3	1206 +22,-82	Y5V	16	Murata
8	4	C20 C21 C22 C23	100n	0805 +-10%	X7R	50	
9	1	C27	1p5	0603 +-0,5%	NPO	50	
10	1	C30	1p5	1206 +-5%	NPO	50	
11	1	C36	4p7	0603 +-5%	NPO	50	
12	1	C39	1u	0805 +-10%	X7R	16	
13	5	D1 D2 D3 D4 D5	LED (Red)	1206	EL15-21VRD		Everlight

Schematics and Bill of Material for Evaluation unit V.3.6

14	1	D6	BZX84C6V2	SOT23	
15	1	D7	BAS19	SOT23	
16	1	JP1	HEADER 5 PINS	Right angle 2,54mm	Scott electronics
17	1	JP2	HEADER 5 PINS	Right angle 2,54mm	Scott electronics
18	1	JP3	AK7010	DC-JACK 2,1mm	Kingpower
19	1	JP4	HEADER 2 PINS	Right angle 2,54mm	
20	1	JP5	HEADER 2 PINS	Right angle 2,54mm	
21	1	JP6	HEADER 2 PINS	Right angle 2,54mm	
22	1	JP7	HEADER 2 PINS	Right angle 2,54mm	
23	1	K2	82SMA-50-0-41/133JH	Straight PCB jack	Suhner
24	1	L1	BLM11P300S	0603	Murata
25	1	P1	D-SUB 9PINS Female 2,54mm 90 deg.		Amp
26	1	Q1	BCP56-10	SOT223	

Schematics and Bill of Material for Evaluation unit V.3.6

27	5	R1 R9 R10 R17 R18	470R	0603 +-1%	50
28	11	R3 R4 R8 R11 R13 R14 R16 R20 R21 R22 R23	100k	0603 +-1%	50
29	1	R5	3k3	0603 +-1%	50
30	2	R7 R19	10R	0603 +-1%	50
31	1	R15	10k	0603 +-1%	50



Schematics and Bill of Material for Evaluation unit V.3.6

32	1	R24	47k	0603 +-1%	50	
33	1	R25	220k	0603 +-1%	50	
34	3	R26 R27 R28	1k	0603 +-1%	50	
35	1	S2	IKN043000	2,54mm		Apem
36	2	TP2,TP3		GND		
37	1	TP5		Fiducial		
38	1	U1	MAX3223CAP	SSOP		MAXIM
39	1	U3	DIL-SOCKET	28pin-smd-socket		Scott electronics
40	1	U5	RFB433			
41	2	U6 U7	REG101NA-3.0	SOT23-5		Burr-Brown
42	1	Y1	10MHz	HC49 SMD		